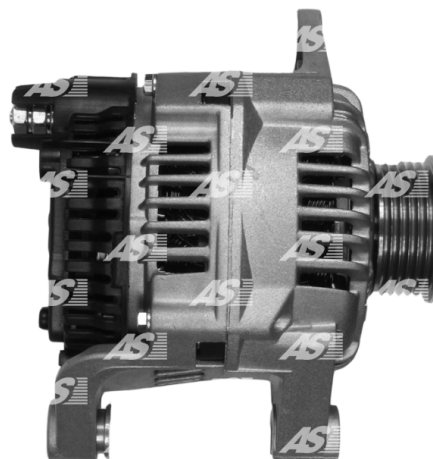


Data

AS index	A3016
Kategória	Alternátory
Výrobca	AS-PL
Náhrada za	Valeo

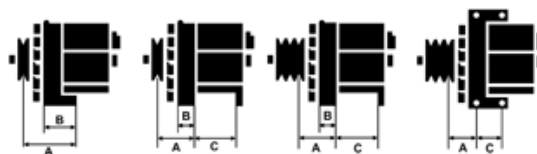
Vlastnosti produktu

Rozmer A [mm]	42.5
Rozmer B [mm]	27
Rozmer C [mm]	66
Napätie [V]	12
Intenzita [A]	70



B+

D+



Referenčné číslo (44)

Number	Výrobca
0123110004	BOSCH
0986038751	BOSCH
112793	CARGO
CAL15152AS	CASCO
CAL15152RS	CASCO
CAL15153AS	CASCO
4330	CEVAM
DRA3244	DELCO
EAA-221385	EAA
56224	EAI
28-1864	ELSTOCK
9038751	FRIESEN
CA820IR	HC PARTS
8EL730060-001	HELLA
32038781	HERTH+BUSS
11.0820	LAUBER
LRB00180	LUCAS
5705E4	PEUGEOT
5705H5	PEUGEOT
5705HK	PEUGEOT

5705N6	PEUGEOT
9612264280	PEUGEOT
9612264680	PEUGEOT
89213289	POWERMAX
9213289	POWERMAX
35214445	PRESTOLITE
1017-016RS	RS
2541457	VALEO
2541457B	VALEO
2541733	VALEO
2541765	VALEO
2541765A	VALEO
433188	VALEO
436345	VALEO
A11VI23	VALEO
A11VI32	VALEO
A11VI33	VALEO
A11VI48	VALEO
A11VI49	VALEO
A11VI57	VALEO
NA434	VALEO
VA292	VALEO
22789N	WAI / TRANSPO
ALT14116	WOODAUTO

Využitie

CITROEN

Značka	Model	Typ	let	Poznámky
CITROEN	Evasion 1.8	[LFZ(XU7JP)]	09.1996-07.2002	
CITROEN	Evasion 2.0 i	[RFU(XU10J2/C)]	06.1994-07.2002	
CITROEN	Evasion 2.0 Turbo	[RGX(XU10J2TE)]	06.1994-04.1997	
CITROEN	XM 2.0	[RDZ(XU10MZ)]	05.1989-04.1994	
CITROEN	XM 2.0	[XU102C]	05.1989-04.1994	
CITROEN	XM 2.1 Diesel	[P9A(XUD11A)]	11.1991-04.1994	
CITROEN	XM 2.1 TD 12V	[P8A(XUD11ATE)]	05.1989-06.1994	
CITROEN	XM 2.1 TD 12V	[PHZ(XUD11ATE)]	05.1989-06.1994	
CITROEN	XM 2.1 TD 12V	[PJZ(XUD11ATE)]	09.1993-06.1994	
CITROEN	Xsara 1.8 i	[LFZ(XU7JP)]	04.1997-09.2000	
CITROEN	ZX 1.6 i	[BDY(XU5M)]	03.1991-12.1994	
CITROEN	ZX 1.6 i	[BFZ(XU5JP)]	07.1993-10.1997	
CITROEN	ZX 1.8 i	[LFZ(XU7JP)]	07.1992-10.1997	
CITROEN	ZX 1.9 i	[DKZ(XU9JA)]	03.1991-10.1997	
CITROEN	ZX 2.0 i 16V	[RFT(XU10J4/Z)]	07.1992-10.1997	
CITROEN	ZX 2.0 i 16V	[RFY(XU10J4/Z)]	07.1992-10.1994	

FIAT

Značka	Model	Typ	let	Poznámky
FIAT	Ulysse 1.8	[LFW]	05.1996-05.2000	AC
FIAT	Ulysse 2.0	[RFU(XU10J2C)]	06.1994-05.2000	
FIAT	Ulysse 2.0 Turbo	[RGX(XU10J2CTE)]	06.1994-02.1997	

LANCIA

Značka	Model	Typ	let	Poznámky
LANCIA	Zeta 2.0 Turbo	[RGX]	05.1995-11.1996	

PEUGEOT

Značka	Model	Typ	let	Poznámky
PEUGEOT	306 1.8	[LFZ(XU7JP)]	01.1993-10.2003	
PEUGEOT	306 1.8	[LFZ(XU7JP)]	05.1997-10.2003	PS
PEUGEOT	306 1.8 ST	[LFZ(XU7JP)]	06.1994-04.1997	
PEUGEOT	306 1.8 ST	[LFZ(XU7JP)]	05.1997-10.2003	PS
PEUGEOT	306 2.0	[RFX(XU10J2)]	08.1993-06.1996	
PEUGEOT	306 2.0 i 16V	[RFT(XU10J4)]	06.1994-06.1996	
PEUGEOT	306 2.0 i XS	[RFX(XU10J2)]	05.1993-06.1996	
PEUGEOT	306 2.0 S 16	[RFT(XU10J4)]	06.1994-06.1996	
PEUGEOT	306 2.0 S 16	[RFY(XU10J4Z)]	06.1994-06.1996	
PEUGEOT	306 2.0 ST	[RFX(XU10J2)]	07.1994-06.1996	
PEUGEOT	405 1.6	[BDY(XU5M2Z)]	08.1992-04.1997	
PEUGEOT	405 1.6	[BDY(XU5M3Z)]	08.1992-04.1997	
PEUGEOT	405 1.6	[BFZ(XU5JP)]	09.1994-04.1997	
PEUGEOT	405 1.8	[LFZ(XU7JP)]	08.1992-04.1997	
PEUGEOT	405 2.0 16V	[RFT(XU10J4)]	06.1994-04.1997	
PEUGEOT	405 2.0 MI 16	[RFY(XU10J4Z)]	08.1992-04.1997	
PEUGEOT	405 2.0 Turbo 16 4x4	[RGZ(XU10J4TE/Z)]	08.1992-04.1997	
PEUGEOT	405 2.0, 4x4	[RFX(XU10J2)]	08.1992-04.1997	
PEUGEOT	406 1.6	[BFZ(XU5JP)]	11.1995-05.2004	
PEUGEOT	406 2.0 Turbo	[RGX(XU10J2TE)]	06.1994-03.1997	
PEUGEOT	806 1.8	[LFW(XU7JP)]	07.1995-08.2002	
PEUGEOT	806 2.0	[RFU(XU10J2)]	06.1994-08.2002	
PEUGEOT	806 2.0 Turbo	[RGX(XU10J2TE)]	06.1994-03.1997	
PEUGEOT	Expert 1.8		10.1996-09.2000	