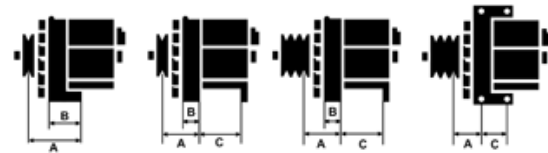
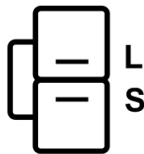
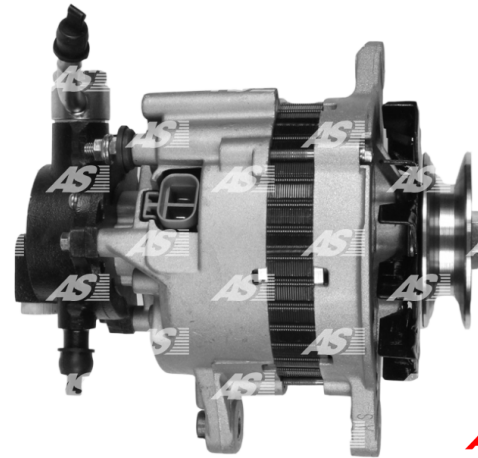
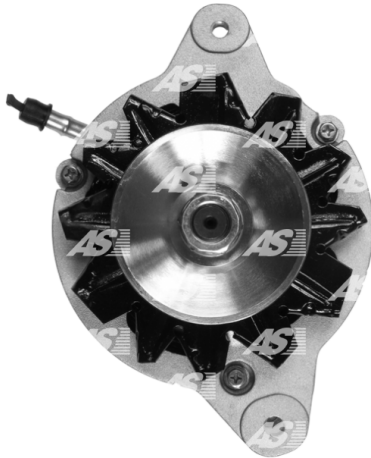


Data

AS index	A5006
Kategória	Alternátory
Výrobca	AS-PL
Náhrada za	Mitsubishi

Vlastnosti produktu

Rozmer A [mm]	44
Rozmer B [mm]	13
Rozmer C [mm]	54
Napätie [V]	12
Intenzita [A]	60



Referenčné číslo (43)

Number	Výrobca
AEA7106	AUTOELECTRO
0986042261	BOSCH
0986042271	BOSCH
110806	CARGO
CAL35103AS	CASCO
CAL35103GS	CASCO
9026	CEVAM
DRA3038	DELCO
DRA3038N	DELCO
EAA-221053	EAA
56147	EAI
28-0918	ELSTOCK
9051524	FRIESEN
HAD165500	HALLA
JA585IR	HC PARTS
8EL011711-771	HELLA
8EL726363-001	HELLA
37300-42200	HYUNDAI / KIA
37300-42202	HYUNDAI / KIA
11.0585	LAUBER

11.3101	LAUBER
LRA00706	LUCAS
LRA02604	LUCAS
A2T01483	MITSUBISHI
A2T01583	MITSUBISHI
A2T01683	MITSUBISHI
A2T01783	MITSUBISHI
A2T10083	MITSUBISHI
MD103373	MITSUBISHI
MD103564	MITSUBISHI
MD106319	MITSUBISHI
MD106320	MITSUBISHI
MD124233	MITSUBISHI
89212785	POWERMAX
9212785	POWERMAX
20100706	PRESTOLITE
1016-006RS	RS
SA994	SOVEREIGN
437146	VALEO
437148	VALEO
APR165AA	VALEO
12642R	WAI / TRANSPO
ALT31107	WOODAUTO

Využitie

MITSUBISHI

Značka	Model	Typ	let	Poznámky
MITSUBISHI	L 200 2.5 Diesel	(K14T)[4D56]	11.1986-08.1996	
MITSUBISHI	L 200 2.5 Diesel 4WD	(K24,34T)[4D56]	12.1987-05.1993	
MITSUBISHI	L 200 2.5 TD 4WD	[4D56T]	11.1992-08.1996	
MITSUBISHI	L 300 2.5 Diesel	(P05V,W,15V)[4D56]	11.1986-10.1988	
MITSUBISHI	L 300 2.5 Diesel	(P05V,PO5W,P15V)[4D56]	11.1986-10.1988	
MITSUBISHI	L 300 2.5 Diesel	[4D56]	11.1986-05.1994	
MITSUBISHI	Pajero 2.5 TD	(L044G)[4D56T]	05.1986-11.1990	
MITSUBISHI	Pajero 2.5 TD	(L049G)[4D56T]	05.1986-06.1991	
MITSUBISHI	Shogun 2.5 TD	(P25W)[4D56]	06.1986-11.1988	