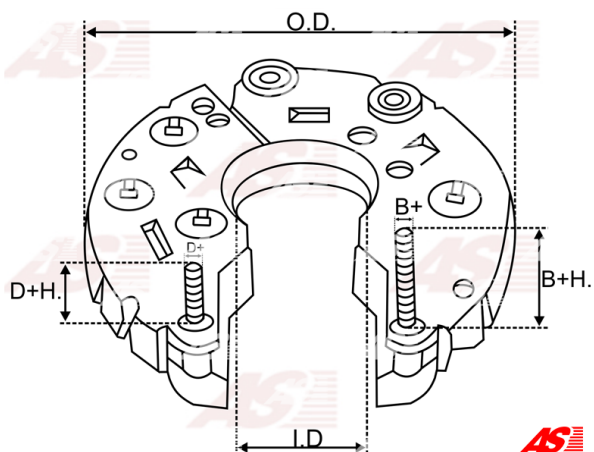


Data

AS index	ARC2020
Kategória	Usmerňovače pre alternátory
Výrobca	AS-PL
Náhrada za	Hitachi

Vlastnosti produktu

B+thread	M8
Vonkajší priemer	127.75
Mounting dist.	65
Diode Amp.	35
Diodes	8



Referenčné číslo (13)

Number	Výrobca
233620	CARGO
235729	CARGO
CRC20108AS	CASCO
CQ1080340	CQ
RH-68	MOBILETRON
RH-73	MOBILETRON
81111177	POWERMAX
81116513	POWERMAX
1104-018RS	RS
1104-027RS	RS
REC-656	UNIPPOINT
IHR769	WAI / TRANSPO
RTF49961	WOODAUTO

Využitie

AS-PL

Referenčné číslo	Výrobca
A2003	AS-PL
A2022	AS-PL

HITACHI

Referenčné číslo	Výrobca
LR1100502	HITACHI
LR1100502B	HITACHI
LR1100502C	HITACHI
LR1100502D	HITACHI
LR1100502E	HITACHI
LR1100502F	HITACHI
LR1100502G	HITACHI
LR1100502H	HITACHI
LR1100502J	HITACHI
LR1100502K	HITACHI
LR1100502L	HITACHI
LR1100502M	HITACHI
LR1100502N	HITACHI
LR1100503	HITACHI
LR1100503A	HITACHI
LR1100503B	HITACHI
LR1100503C	HITACHI
LR1100503E	HITACHI
LR1100503F	HITACHI
LR1100504C	HITACHI
LR1100504E	HITACHI
LR1100505	HITACHI
LR1100505B	HITACHI
LR1100505E	HITACHI
LR1100507	HITACHI
LR1100507B	HITACHI
LR1100507C	HITACHI
LR1100508	HITACHI
LR1100508B	HITACHI
LR1100508C	HITACHI
LR1100508E	HITACHI
LR1100508F	HITACHI
LR1110502	HITACHI
LR1110502B	HITACHI
LR1110502C	HITACHI
LR1110502F	HITACHI
LR1110503	HITACHI
LR1110503B	HITACHI
LR1110503C	HITACHI
LR1110503E	HITACHI
LR1110503F	HITACHI
LR170509C	HITACHI
LR170509E	HITACHI
LR170509F	HITACHI
LR170509G	HITACHI
LR170509H	HITACHI
LR170749F	HITACHI

ISKRA / LETRIKA

Referenčné číslo	Výrobca
11209424	ISKRA / LETRIKA
AAK5574	ISKRA / LETRIKA

ISUZU

Referenčné číslo	Výrobca
8971891122	ISUZU
8971891123	ISUZU
8971891124	ISUZU
8971891125	ISUZU
8971891126	ISUZU
8971891133	ISUZU
8971891134	ISUZU
8971891135	ISUZU
8971891136	ISUZU
8971891137	ISUZU
8971891138	ISUZU
8971891139	ISUZU
8972873923	ISUZU
8972873924	ISUZU
8973261800	ISUZU
8973261801	ISUZU
8973551980	ISUZU
8973551981	ISUZU
8973551982	ISUZU
8973638320	ISUZU
8973638321	ISUZU
8973638322	ISUZU
8973638323	ISUZU
8973638330	ISUZU
8973695070	ISUZU
8973695071	ISUZU
8973695072	ISUZU
8973695080	ISUZU
8973695081	ISUZU
8980542550	ISUZU
8980564390	ISUZU
8980564410	ISUZU
8980564430	ISUZU
8980568670	ISUZU