

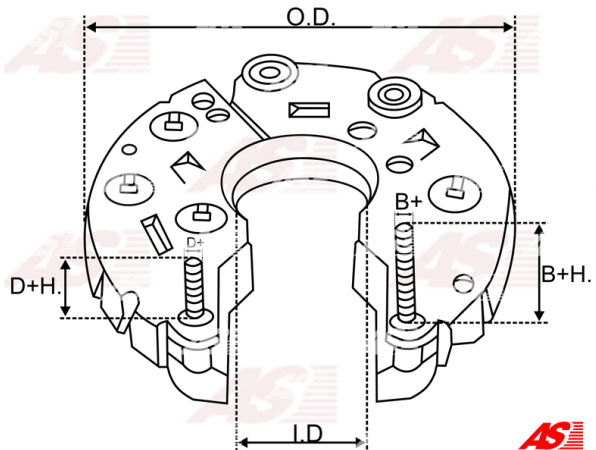


## Data

AS index	ARC5006
Kategória	Usmerňovače pre alternátory
Výrobca	AS-PL
Náhrada za	Mitsubishi

## Vlastnosti produktu

B+thread	M5
Vonkajší priemer	95.5
Mounting dist.	75
Diode Amp.	30
Diodes	6



## Referenčné číslo (17)

Number	Výrobca
RFX6024	ASHDOWN INGRAM
132467	CARGO
CRC35109AS	CASCO
500379	CIVIC/DA PARTS
CQ1080642	CQ
139283	HUCO
A860T17270	MITSUBISHI
A860T17285	MITSUBISHI
A860X17299	MITSUBISHI
RM-09	MOBILETRON
23124-08E16	NISSAN
82-011	PAN PACIFIC
81113714	POWERMAX
1106-005RS	RS
REC-574	UNIPOINT
IMR7548	WAI / TRANSP0
RTF49822	WOODAUTO

## Využitie

**MITSUBISHI**

Referenčné číslo	Výrobca
A002T03072	MITSUBISHI
A002T03291	MITSUBISHI
A002T03892	MITSUBISHI
A002T07292	MITSUBISHI
A002T13571	MITSUBISHI
A002T18792	MITSUBISHI
A002T43372	MITSUBISHI
A002T43891	MITSUBISHI
A002T44791	MITSUBISHI
A002T45171A	MITSUBISHI
A002T45771A	MITSUBISHI
A002T45799A	MITSUBISHI
A002T46395	MITSUBISHI
A002T46395B	MITSUBISHI
A002T46492	MITSUBISHI
A002T46991	MITSUBISHI
A002T46992	MITSUBISHI
A002T48292	MITSUBISHI
A002T48298	MITSUBISHI
A003T34572	MITSUBISHI
A2T03072	MITSUBISHI
A2T03291	MITSUBISHI
A2T03892	MITSUBISHI
A2T07292	MITSUBISHI
A2T13571	MITSUBISHI
A2T18792	MITSUBISHI
A2T43372	MITSUBISHI
A2T43891	MITSUBISHI
A2T44791	MITSUBISHI
A2T45171A	MITSUBISHI
A2T45771A	MITSUBISHI
A2T45799A	MITSUBISHI
A2T46395	MITSUBISHI
A2T46395B	MITSUBISHI
A2T46492	MITSUBISHI
A2T46991	MITSUBISHI
A2T46992	MITSUBISHI
A2T48292	MITSUBISHI
A2T48298	MITSUBISHI
A3T34572	MITSUBISHI
MD093241	MITSUBISHI
MD097405	MITSUBISHI
MD102747	MITSUBISHI
MD106712	MITSUBISHI
MD109726	MITSUBISHI
MD111714	MITSUBISHI