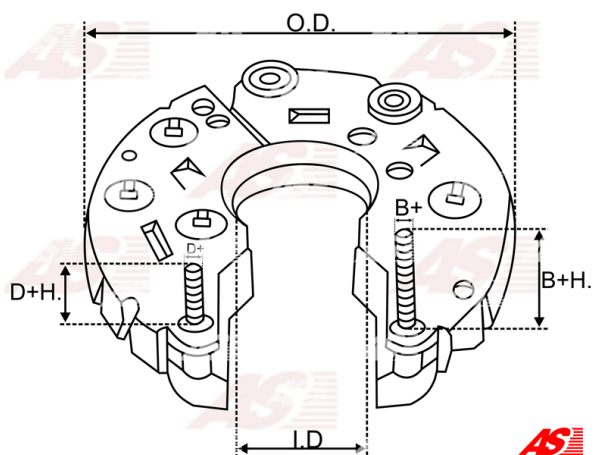
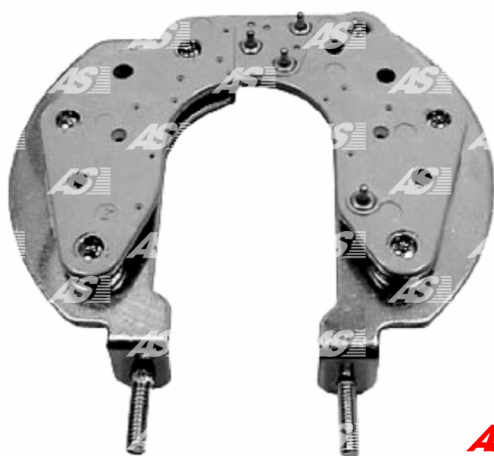


## Data

|            |                             |
|------------|-----------------------------|
| AS index   | ARC9005                     |
| Kategória  | Usmerňovače pre alternátory |
| Výrobca    | AS-PL                       |
| Náhrada za | Ford                        |

## Vlastnosti produktu

|                  |       |
|------------------|-------|
| B+               | 17.5  |
| B+thread         | M6    |
| Vonkajší priemer | 139.5 |
| Vnútorý priemer  | 48.5  |
| Mounting dist.   | 100   |
| D+               | 19    |
| D+thread         | M5    |
| Diode Amp.       | 35    |
| Diodes           | 6     |



## Referenčné číslo (13)

| Number     | Výrobca       |
|------------|---------------|
| 131422     | CARGO         |
| CRC14101AS | CASCO         |
| CQ1080590  | CQ            |
| D20Z10304A | FORD          |
| D20Z10304A | FORD          |
| GY1026     | FORD          |
| GY1026A    | FORD          |
| RF-09      | MOBILETRON    |
| 81112074   | POWERMAX      |
| 1109-003RS | RS            |
| REC-110    | UNIPOINT      |
| FR1270     | WAI / TRANSPO |
| RTF39958   | WOODAUTO      |

## Využitie

**FORD**

| Referenčné číslo | Výrobca |
|------------------|---------|
| D9AF10300CA      | FORD    |
| E3TF10300AB      | FORD    |
| E4LF10300CA      | FORD    |
| E6DF10300CA      | FORD    |
| E9TF10300AA      | FORD    |
| F0TU10300AA      | FORD    |
| GL215            | FORD    |