

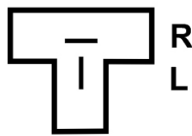
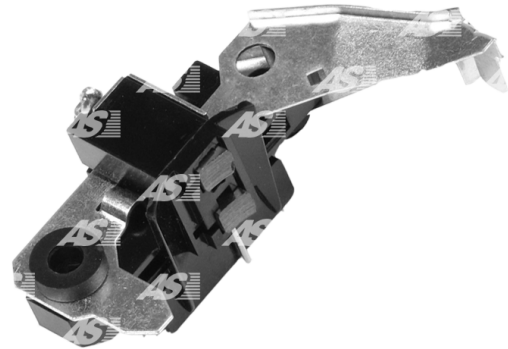


Data

AS index	ARE5002
Kategória	Regulátory pre alternátory
Výrobca	AS-PL
Náhrada za	Mitsubishi

Vlastnosti produktu

Napätie [V]	12
---------------	----



Referenčné číslo (24)

Number	Výrobca
RGX6015	ASHDOWN INGRAM
131290	CARGO
CRE35102AS	CASCO
500872	CIVIC/DA PARTS
CQ1010189	CQ
132967	HUCO
21513106	LUCAS
UCJ216	LUCAS
940038083	MAGNETI MARELLI
SE21-24-520	MAZDA
A866T03070	MITSUBISHI
A866T03470	MITSUBISHI
A866T07670	MITSUBISHI
A866T18270	MITSUBISHI
MD607619	MITSUBISHI
MD618302	MITSUBISHI
VR-H2009-18	MOBILETRON
80-615	PAN PACIFIC
1111314	POWERMAX
81111314	POWERMAX
1126-002RS	RS



YR-566	UNIPOINT
IM205	WAI / TRANSP
VRG4670A	WOODAUTO

Využitie

MITSUBISHI

Referenčné číslo	Výrobca
A001T32084	MITSUBISHI
A001T32176	MITSUBISHI
A001T33076	MITSUBISHI
A001T33576	MITSUBISHI
A001T33676	MITSUBISHI
A002T01077	MITSUBISHI
A002T07677	MITSUBISHI
A002T07777	MITSUBISHI
A002T08799	MITSUBISHI
A002T15384	MITSUBISHI
A002T27176	MITSUBISHI
A002T27276	MITSUBISHI
A002T27376	MITSUBISHI
A002T27477	MITSUBISHI
A002T27477A	MITSUBISHI
A002T32077	MITSUBISHI
A002T32277	MITSUBISHI
A002T40483	MITSUBISHI
A002T40484	MITSUBISHI
A002T41477	MITSUBISHI
A002T41599	MITSUBISHI
A002T41599A	MITSUBISHI
A002T41599B	MITSUBISHI
A002T41899	MITSUBISHI
A002T43183	MITSUBISHI
A002T43583	MITSUBISHI
A002T45877	MITSUBISHI
A002T47199	MITSUBISHI
A002T47299	MITSUBISHI
A003T35577	MITSUBISHI
A005T15584	MITSUBISHI
A005T15684	MITSUBISHI
A005T15784	MITSUBISHI
A005T15884	MITSUBISHI
A005T16084	MITSUBISHI
A005T16384	MITSUBISHI
A005T20481	MITSUBISHI
A005T20484	MITSUBISHI
A005T20484A	MITSUBISHI
A005T21684	MITSUBISHI
A005T21984	MITSUBISHI
A005T21984B	MITSUBISHI
A005T22484	MITSUBISHI
A005T23784	MITSUBISHI
A006T40599	MITSUBISHI
A006T40699	MITSUBISHI
A1T32084	MITSUBISHI
A1T32099	MITSUBISHI



A1T32176	MITSUBISHI
A1T32876	MITSUBISHI
A1T33076	MITSUBISHI
A1T33576	MITSUBISHI
A1T33676	MITSUBISHI
A2T01077	MITSUBISHI
A2T07677	MITSUBISHI
A2T07777	MITSUBISHI
A2T08799	MITSUBISHI
A2T15384	MITSUBISHI
A2T25979	MITSUBISHI
A2T27176	MITSUBISHI
A2T27276	MITSUBISHI
A2T27376	MITSUBISHI
A2T27477	MITSUBISHI
A2T27477A	MITSUBISHI
A2T32077	MITSUBISHI
A2T32277	MITSUBISHI
A2T40483	MITSUBISHI
A2T40484	MITSUBISHI
A2T41477	MITSUBISHI
A2T41599	MITSUBISHI
A2T41599A	MITSUBISHI
A2T41599B	MITSUBISHI
A2T41899	MITSUBISHI
A2T42899	MITSUBISHI
A2T43183	MITSUBISHI
A2T43583	MITSUBISHI
A2T45877	MITSUBISHI
A2T47199	MITSUBISHI
A2T47299	MITSUBISHI
A3T35577	MITSUBISHI
A5T15584	MITSUBISHI
A5T15684	MITSUBISHI
A5T15784	MITSUBISHI
A5T15884	MITSUBISHI
A5T16084	MITSUBISHI
A5T16384	MITSUBISHI
A5T20481	MITSUBISHI
A5T20484	MITSUBISHI
A5T20484A	MITSUBISHI
A5T20984	MITSUBISHI
A5T21684	MITSUBISHI
A5T21984	MITSUBISHI
A5T21984B	MITSUBISHI
A5T22484	MITSUBISHI
A5T23784	MITSUBISHI
A6T40599	MITSUBISHI
A6T40699	MITSUBISHI
MD013740	MITSUBISHI
MD013742	MITSUBISHI
MD060793	MITSUBISHI
MD061430	MITSUBISHI
MD061818	MITSUBISHI
MD067411	MITSUBISHI
MD068565	MITSUBISHI
MD069859	MITSUBISHI
MD070310	MITSUBISHI
MD072582	MITSUBISHI



MD075795	mitsubishi
MD085874	mitsubishi
MD086015	mitsubishi
MD086016	mitsubishi
MD087246	mitsubishi
MD089570	mitsubishi
MD092877	mitsubishi
MD095741	mitsubishi
MD304139	mitsubishi

VALEO

Referenčné číslo	Výrobca
A11VI84	VALEO