

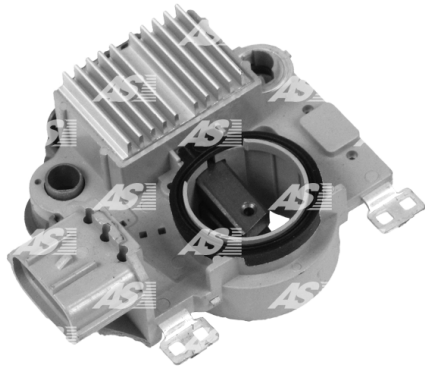


Data

| | |
|------------|-------------------------|
| AS index | ARE5031 |
| Kategória | Regulátory alternátorov |
| Výrobca | AS-PL |
| Náhrada za | Mitsubishi |

Vlastnosti produktu

| | |
|---------------|----|
| Napätie [V] | 12 |
|---------------|----|



Referenčné číslo (12)

| Number | Výrobca |
|--------------|----------------|
| RGX6053 | ASHDOWN INGRAM |
| 235102 | CARGO |
| 500198 | CIVIC/DA PARTS |
| CQ1010051 | CQ |
| VR-H2009-107 | MOBILETRON |
| 82-151 | PAN PACIFIC |
| 81112985 | POWERMAX |
| 1126-030RS | RS |
| 23815-AA140 | SUBARU |
| YR-5972 | UNIPOINT |
| IM848 | WAI / TRANSPO |
| VRG47278 | WOODAUTO |

Využitie

MITSUBISHI

| Referenčné číslo | Výrobca |
|------------------|------------|
| A002TB2891 | MITSUBISHI |
| A002TB2891ZC | MITSUBISHI |
| A002TB2991 | MITSUBISHI |
| A002TB6291 | MITSUBISHI |
| A2TB2891 | MITSUBISHI |
| A2TB2891ZC | MITSUBISHI |
| A2TB2991 | MITSUBISHI |
| A2TB6291 | MITSUBISHI |
| A3TG2391 | MITSUBISHI |

SUBARU

| Referenčné číslo | Výrobca |
|------------------|---------|
| 23700AA370 | SUBARU |
| 23700AA390 | SUBARU |