

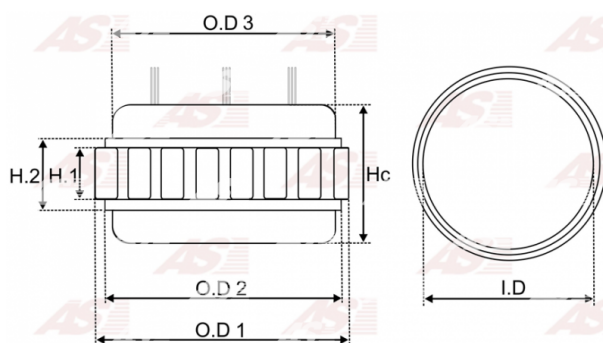


## Data

AS index	AS1001
Kategória	Vinutie pre alternátory
Výrobca	AS-PL
Náhrada za	Delco

## Vlastnosti produktu

Napätie [ V ]	12
Intenzita [ Amp ]	105
Vonkajší priemer [ mm ]	130.00
O.D. 2 [ mm ]	123.60
O.D. 1 [ mm ]	117.10
Vnútorý priemer [ mm ]	96.40
H. [ mm ]	25.20
H. 2 [ mm ]	27.20
Hc [ mm ]	58.40
No. of leads	6



## Referenčné číslo (17)

Number	Výrobca
137052	CARGO
CSR60004AS	CASCO
CSR60008AS	CASCO
CQ1120100	CQ
10475030	DELCO
10475450	DELCO
10475742	DELCO
10476400	DELCO
1172-001RS	RS
T-140009	UNIPOINT
27-136	WAI / TRANSPO
27-137	WAI / TRANSPO
27-137-140	WAI / TRANSPO
27-137-160	WAI / TRANSPO
27-137-180	WAI / TRANSPO
27-137-220	WAI / TRANSPO
WST8649	WOODAUTO

## Využitie



## AS-PL

Referenčné číslo	Výrobca
A1001	AS-PL

## DELCO

Referenčné číslo	Výrobca
10463651	DELCO
10463940	DELCO
10479384	DELCO
10479914	DELCO
10479918	DELCO
10479923	DELCO
10479947	DELCO
10479955	DELCO
10479991	DELCO
10480017	DELCO
10480071	DELCO
10480072	DELCO
10480119	DELCO
10480167	DELCO
10480168	DELCO
10480187	DELCO
10480189	DELCO
10480190	DELCO
10480198	DELCO
10480214	DELCO
10480215	DELCO
10480222	DELCO
10480225	DELCO
10480226	DELCO
10480237	DELCO
10480254	DELCO
10480273	DELCO
10480308	DELCO
10480353	DELCO
10480361	DELCO
10480384	DELCO
214	DELCO
215	DELCO
225	DELCO
273	DELCO
3493214	DELCO
3493225	DELCO
3493226	DELCO
3493273	DELCO
3493409	DELCO
3493459	DELCO
3493814	DELCO
3493823	DELCO
3493824	DELCO
3493847	DELCO
3493848	DELCO
3493855	DELCO
3493914	DELCO



3493955	DELCO
384	DELCO
409	DELCO
459	DELCO
462	DELCO
814	DELCO
823	DELCO
824	DELCO
8400157	DELCO
8400159	DELCO
8400219	DELCO
847	DELCO
848	DELCO
855	DELCO
914	DELCO
922	DELCO
923	DELCO
947	DELCO
955	DELCO

## DELPHI

Referenčné číslo	Výrobca
456	DELPHI

## ISKRA / LETRIKA

Referenčné číslo	Výrobca
11209004	ISKRA / LETRIKA
11209011	ISKRA / LETRIKA
AAK5503	ISKRA / LETRIKA
AAK5510	ISKRA / LETRIKA

## ISUZU

Referenčné číslo	Výrobca
8980311541	ISUZU
8980428720	ISUZU
89804287200	ISUZU

## UNIPOINT

Referenčné číslo	Výrobca
ALT1400	UNIPOINT
ALT1401	UNIPOINT
ALT1402	UNIPOINT
ALT1403	UNIPOINT
ALT1404	UNIPOINT
ALT1405	UNIPOINT
ALT1406	UNIPOINT
ALT1407	UNIPOINT
ALT1408	UNIPOINT
ALT1409	UNIPOINT
ALT1410	UNIPOINT
ALT1411	UNIPOINT



ALT1412	UNIPOINT
ALT1413	UNIPOINT
ALT1414	UNIPOINT
ALT1415	UNIPOINT
ALT1416	UNIPOINT
ALT1417	UNIPOINT
ALT1418	UNIPOINT
ALT1419	UNIPOINT
ALT1420	UNIPOINT
ALT1421	UNIPOINT
ALT1422	UNIPOINT

**VOLVO**

Referenčné číslo	Výrobca
8111838	VOLVO
8111839	VOLVO