

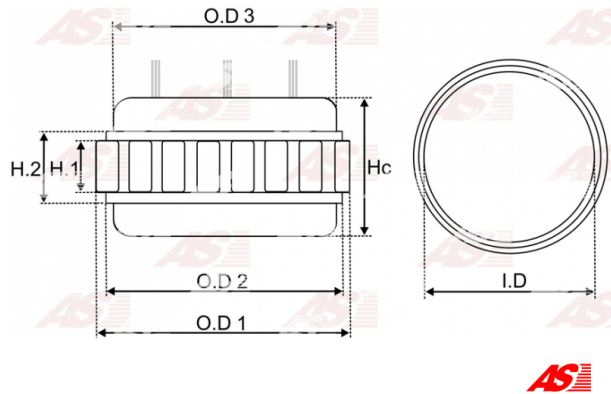


## Data

|            |                         |
|------------|-------------------------|
| AS index   | AS3003                  |
| Kategória  | Vinutie pre alternátory |
| Výrobca    | AS-PL                   |
| Náhrada za | Valeo                   |

## Vlastnosti produktu

|                         |        |
|-------------------------|--------|
| Napätie [ V ]           | 24     |
| Intenzita [ Amp ]       | 55     |
| Vonkajší priemer [ mm ] | 136.40 |
| O.D. 1 [ mm ]           | 122.20 |
| Vnútorý priemer [ mm ]  | 100.00 |
| H. [ mm ]               | 27.70  |
| H. 2 [ mm ]             | 28.80  |
| Hc [ mm ]               | 52.80  |
| No. of leads            | 3      |



## Referenčné číslo (13)

| Number     | Výrobca  |
|------------|----------|
| 131052     | CARGO    |
| CSR15604AS | CASCO    |
| CQ1120020  | CQ       |
| S/132      | ORME     |
| 1113376    | POWERMAX |
| 1177-003RS | RS       |
| 100156     | VALEO    |
| 101518     | VALEO    |
| 101519     | VALEO    |
| 102589     | VALEO    |
| 593277     | VALEO    |
| NC376      | VALEO    |
| WST8873    | WOODAUTO |

## Využitie

## MANDO

| Referenčné číslo | Výrobca |
|------------------|---------|
| AF111382         | MANDO   |

## SCANIA

| Referenčné číslo | Výrobca |
|------------------|---------|
| 1105367          | SCANIA  |
| 1117252          | SCANIA  |
| 257592           | SCANIA  |
| 354858           | SCANIA  |
| 357736           | SCANIA  |
| 371972           | SCANIA  |
| 410676           | SCANIA  |
| 571505           | SCANIA  |
| 571506           | SCANIA  |
| 571516           | SCANIA  |

## VALEO

| Referenčné číslo | Výrobca |
|------------------|---------|
| 2181761          | VALEO   |
| 2181762          | VALEO   |
| 2181991          | VALEO   |
| 2522104          | VALEO   |
| 2541147          | VALEO   |
| 2541168          | VALEO   |
| 2541199          | VALEO   |
| 2541403          | VALEO   |
| 2541618          | VALEO   |
| 2541624          | VALEO   |
| 2541635          | VALEO   |
| 2541648          | VALEO   |
| 2541778          | VALEO   |
| 2541828          | VALEO   |
| 2541850          | VALEO   |
| 2542359          | VALEO   |
| 2542514          | VALEO   |
| A13VI166         | VALEO   |
| A13VI70          | VALEO   |
| A14N100          | VALEO   |
| A14N100M         | VALEO   |
| A14N105M         | VALEO   |
| A14N110M         | VALEO   |
| A14N112M         | VALEO   |
| A14N114          | VALEO   |
| A14N114T         | VALEO   |
| A14N115M         | VALEO   |
| A14N116M         | VALEO   |
| A14N118M         | VALEO   |
| A14N119M         | VALEO   |
| A14N122M         | VALEO   |
| A14N133          | VALEO   |
| A14N135          | VALEO   |



|           |       |
|-----------|-------|
| A14N137   | VALEO |
| A14N137M  | VALEO |
| A14N141M  | VALEO |
| A14N177M  | VALEO |
| A14N182   | VALEO |
| A14N183   | VALEO |
| A14N183M  | VALEO |
| A14N185   | VALEO |
| A14N190   | VALEO |
| A14N196M  | VALEO |
| A14N196MX | VALEO |
| A14N198M  | VALEO |
| A14N200   | VALEO |
| A14N200M  | VALEO |
| A14N206M  | VALEO |
| A14N207M  | VALEO |
| A14N208M  | VALEO |
| A14N28T   | VALEO |
| A14N3     | VALEO |
| A14N30M   | VALEO |
| A14N32T   | VALEO |
| A14N39    | VALEO |
| A14N3T    | VALEO |
| A14N43M   | VALEO |
| A14N44M   | VALEO |
| A14N47M   | VALEO |
| A14N81M   | VALEO |
| A14R33    | VALEO |

## VOLVO

| Referenčné číslo | Výrobca |
|------------------|---------|
| 8144401          | VOLVO   |