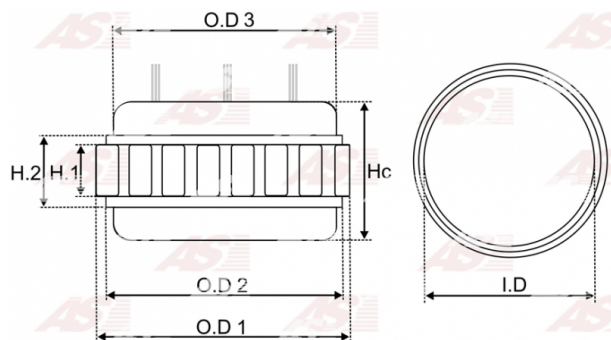


## Data

AS index	AS3004
Kategória	Vinutie pre alternátory
Výrobca	AS-PL
Náhrada za	Valeo

## Vlastnosti produktu

Napätie [ V ]	12
Intenzita [ Amp ]	65
Vonkajší priemer [ mm ]	127.60
O.D. 1 [ mm ]	113.20
Vnútorý priemer [ mm ]	90.00
H. [ mm ]	26.20
Hc [ mm ]	52.30
No. of leads	6



## Referenčné číslo (13)

Number	Výrobca
132378	CARGO
CSR15017AS	CASCO
S/136	ORME
1110496	POWERMAX
1177-004RS	RS
102778	VALEO
102885	VALEO
592729	VALEO
NC123	VALEO
NC126	VALEO
NC262	VALEO
NF103	VALEO
WST88200	WOODAUTO

## Využitie

**VALEO**

Referenčné číslo	Výrobca
2181726	VALEO
2181727	VALEO
2541117	VALEO
2541142	VALEO
2541151	VALEO
2541169	VALEO
2541180	VALEO
2541181	VALEO
2541257	VALEO
2541328	VALEO
2541331	VALEO
2541341	VALEO
2541363	VALEO
2541367	VALEO
2541384	VALEO
2541444	VALEO
2541464	VALEO
2541466	VALEO
2541467	VALEO
2541471	VALEO
2541489	VALEO
2541695	VALEO
A13N10	VALEO
A13N109	VALEO
A13N110	VALEO
A13N113	VALEO
A13N118	VALEO
A13N120	VALEO
A13N121	VALEO
A13N123	VALEO
A13N127	VALEO
A13N129	VALEO
A13N13	VALEO
A13N136	VALEO
A13N137	VALEO
A13N14	VALEO
A13N15	VALEO
A13N157	VALEO
A13N167	VALEO
A13N169	VALEO
A13N17	VALEO
A13N175	VALEO
A13N181	VALEO
A13N182	VALEO
A13N203	VALEO
A13N209	VALEO
A13N210	VALEO
A13N214	VALEO
A13N215	VALEO
A13N219	VALEO
A13N226	VALEO
A13N231	VALEO
A13N234	VALEO
A13N240	VALEO



A13N269	VALEO
A13N27	VALEO
A13N29	VALEO
A13N32	VALEO
A13N41	VALEO
A13N46	VALEO
A13N47	VALEO
A13N49	VALEO
A13N50	VALEO
A13N85	VALEO
A13N86	VALEO
A13N87	VALEO
A13N88	VALEO
A13N89	VALEO
A13N92	VALEO
A13NP173	VALEO

## VOLVO

Referenčné číslo	Výrobca
5002608	VOLVO
5002633	VOLVO
9031081	VOLVO
9031138	VOLVO