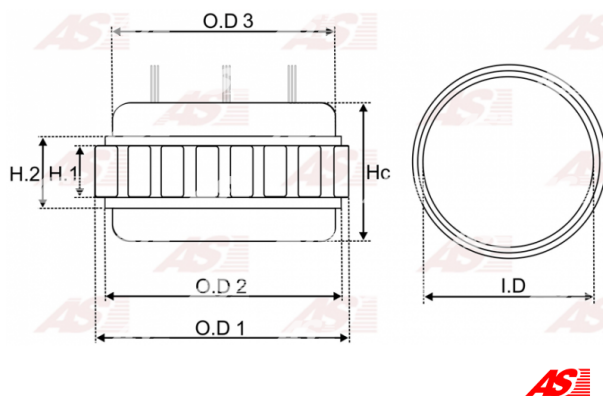


## Data

AS index	AS5002
Kategória	Vinutie pre alternátory
Výrobca	AS-PL
Náhrada za	Mitsubishi

## Vlastnosti produktu

Napätie [ V ]	12
Intenzita [ Amp ]	65
Vonkajší priemer [ mm ]	129.20
O.D. 1 [ mm ]	119.30
Vnútorý priemer [ mm ]	100.20
H. [ mm ]	20.10
H. 2 [ mm ]	27.60
Hc [ mm ]	58.40
No. of leads	4



## Referenčné číslo (12)

Number	Výrobca
138623	CARGO
CSR35013AS	CASCO
CQ1120120	CQ
A383T40170	MITSUBISHI
A383T43370	MITSUBISHI
A383X43370	MITSUBISHI
A383X46670	MITSUBISHI
MD618574	MITSUBISHI
MD618732	MITSUBISHI
1116078	POWERMAX
1176-002RS	RS
WST8980	WOODAUTO

## Využitie

## MITSUBISHI

Referenčné číslo	Výrobca
A002T34892	MITSUBISHI
A002T35091	MITSUBISHI
A002T35092	MITSUBISHI
A002T35277	MITSUBISHI
A002T37976	MITSUBISHI
A002T82899	MITSUBISHI
A002T82899AT	MITSUBISHI
A002T82899ZT	MITSUBISHI
A002TA0991	MITSUBISHI
A002TA2871	MITSUBISHI
A002TN0199	MITSUBISHI
A002TN0299	MITSUBISHI
A002TN0399	MITSUBISHI
A002TN0499	MITSUBISHI
A002TN0499ZT	MITSUBISHI
A002TN0599	MITSUBISHI
A002TN1299	MITSUBISHI
A2T34892	MITSUBISHI
A2T35091	MITSUBISHI
A2T35092	MITSUBISHI
A2T35277	MITSUBISHI
A2T37976	MITSUBISHI
A2T81499	MITSUBISHI
A2T82899	MITSUBISHI
A2T82899A	MITSUBISHI
A2T82899AT	MITSUBISHI
A2T82899ZT	MITSUBISHI
A2TA0991	MITSUBISHI
A2TA2871	MITSUBISHI
A2TA2871A	MITSUBISHI
A2TN0199	MITSUBISHI
A2TN0299	MITSUBISHI
A2TN0399	MITSUBISHI
A2TN0499	MITSUBISHI
A2TN0499AT	MITSUBISHI
A2TN0499ZT	MITSUBISHI
A2TN0599	MITSUBISHI
A2TN1299	MITSUBISHI
A2TN1299ZT	MITSUBISHI
A2TN2871	MITSUBISHI
A2TN3279	MITSUBISHI
A2TN3279A	MITSUBISHI
MD175810	MITSUBISHI
MD175811	MITSUBISHI
MD184279	MITSUBISHI
MD192133	MITSUBISHI
MD304129	MITSUBISHI
MD306648	MITSUBISHI
MD306649	MITSUBISHI
MD313939	MITSUBISHI
MD314235	MITSUBISHI
MD314236	MITSUBISHI
MD314374	MITSUBISHI
MD315430	MITSUBISHI



MD316418	MITSUBISHI
MD319575	MITSUBISHI
MD332546	MITSUBISHI
MD334546	MITSUBISHI
MD366050	MITSUBISHI