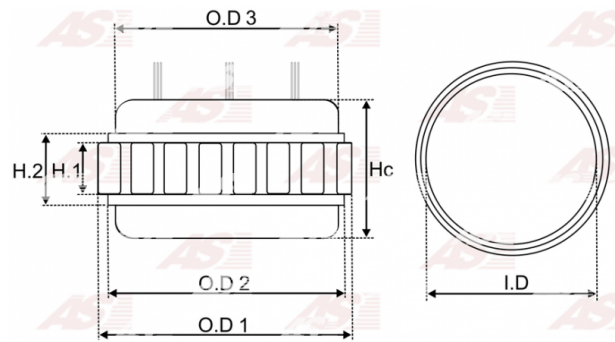


Data

| | |
|------------|-------------------------|
| AS index | AS5003 |
| Kategória | Vinutie pre alternátory |
| Výrobca | AS-PL |
| Náhrada za | Mitsubishi |

Vlastnosti produktu

| | |
|-------------------------|--------|
| Napätie [V] | 12 |
| Intenzita [Amp] | 100 |
| Vonkajší priemer [mm] | 136.10 |
| O.D. 2 [mm] | 133.30 |
| O.D. 1 [mm] | 126.50 |
| Vnútorý priemer [mm] | 106.40 |
| H. [mm] | 20.40 |
| H. 2 [mm] | 28.10 |
| Hc [mm] | 59.50 |
| No. of leads | 7 |



Referenčné číslo (10)

| Number | Výrobca |
|------------|------------|
| UD01506AR | AS-PL |
| 230951 | CARGO |
| CSR35015AS | CASCO |
| CQ1120149 | CQ |
| A383X53770 | MITSUBISHI |
| S/3047 | ORME |
| 1111455 | POWERMAX |
| 1176-003RS | RS |
| T-V00409 | UNIPOINT |
| WST87935 | WOODAUTO |

Využitie

**AS-PL**

| Referenčné číslo | Výrobca |
|------------------|---------|
| A5073 | AS-PL |

FORD

| Referenčné číslo | Výrobca |
|------------------|---------|
| 1017500 | FORD |
| 1086299 | FORD |
| 98VB10K359BA | FORD |
| 98VB10K359BB | FORD |
| 98VB10K359BC | FORD |

MITSUBISHI

| Referenčné číslo | Výrobca |
|------------------|------------|
| A003TN1791 | MITSUBISHI |
| A3TA4399 | MITSUBISHI |
| A3TN1791 | MITSUBISHI |
| A3TN2581 | MITSUBISHI |
| A3TN2581A | MITSUBISHI |