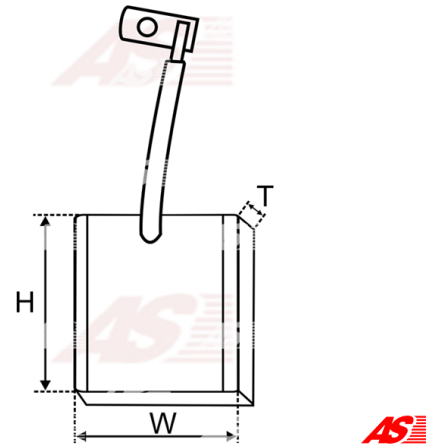
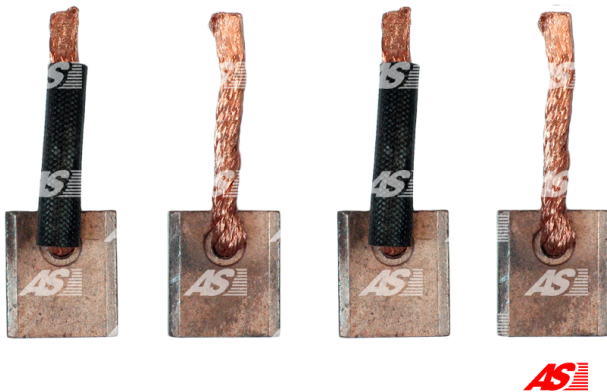


Data

| | |
|------------|---------------------|
| AS index | BSX76 |
| Kategória | Uhlíky pre štartéry |
| Výrobca | AS-PL |
| Náhrada za | Bosch |

Vlastnosti produktu

| | |
|-----------------|----|
| Napätie [V] | 12 |
| Grubość. [mm] | 7 |
| Šírka [mm] | 16 |
| výška [mm] | 18 |



Referenčné číslo (10)

| Number | Výrobca |
|---------------|---------------|
| 1007014119 | BOSCH |
| 1007014121 | BOSCH |
| 2007014054 | BOSCH |
| BSX76 | CARGO |
| BSX76 4 | CARGO |
| CQ2040022 | CQ |
| CQ2040022 BOX | CQ |
| 2071-041RS | RS |
| 68-9125 | WAI / TRANSPO |
| SBR57132 | WOODAUTO |

Využitie

BOSCH

| Referenčné číslo | Výrobca |
|------------------|---------|
| 0001208013 | BOSCH |
| 0001211001 | BOSCH |
| 0001211002 | BOSCH |
| 0001211004 | BOSCH |
| 0001211021 | BOSCH |
| 0001211025 | BOSCH |
| 0001213004 | BOSCH |
| 0001310011 | BOSCH |
| 0001310019 | BOSCH |



| | |
|------------|-------|
| 0001311007 | BOSCH |
| 0001311033 | BOSCH |
| 0001311034 | BOSCH |
| 0001311042 | BOSCH |
| 0001311043 | BOSCH |
| 0001311047 | BOSCH |
| 0001311051 | BOSCH |
| 0001311101 | BOSCH |
| 0001311105 | BOSCH |
| 0001311106 | BOSCH |
| 0001311108 | BOSCH |
| 0001311109 | BOSCH |
| 0001311114 | BOSCH |
| 0001311115 | BOSCH |
| 0001311116 | BOSCH |
| 0001311123 | BOSCH |
| 0001313002 | BOSCH |
| 0001314001 | BOSCH |