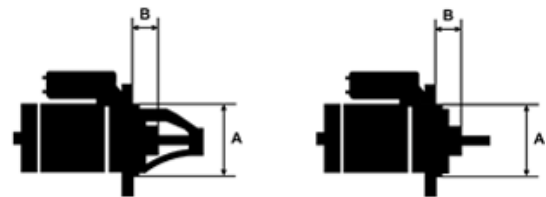
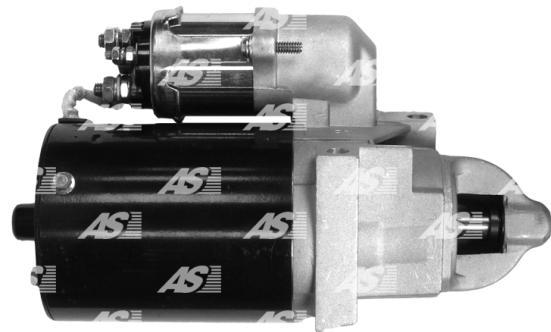
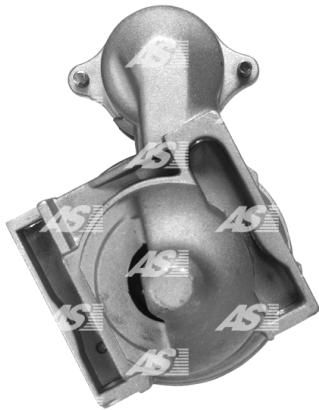


Data

| | |
|------------|----------|
| AS index | S1003 |
| Kategória | Štartéry |
| Výrobca | AS-PL |
| Náhrada za | Delco |

Vlastnosti produktu

| | |
|-------------------------|------|
| Rozmer A [mm] | 68.5 |
| Napätie [V] | 12 |
| Počet otvorov v hlavici | 2 |
| Počet zubov (zapadá do) | 9 |
| Otáčka štartéra | CW |



Referenčné číslo (30)

| Number | Výrobca |
|---------------|----------|
| 111034 | CARGO |
| 10455011 | DELCO |
| 10455013 | DELCO |
| 10455016 | DELCO |
| 10455042 | DELCO |
| 10455050 | DELCO |
| 10455054 | DELCO |
| 10455070 | DELCO |
| 10465065 | DELCO |
| 1998427 | DELCO |
| 1998524 | DELCO |
| 9000910 | DELCO |
| DRZ5153 | DELCO |
| DRZ5155 | DELCO |
| 11832 | EAI |
| 25-1483 | ELSTOCK |
| US858 | HC PARTS |
| 8EA732681-001 | HELLA |
| 22.0858 | LAUBER |
| 22.0858M | LAUBER |

| | |
|------------|---------------|
| LRS01275 | LUCAS |
| 12572716 | OPEL |
| 8213330 | POWERMAX |
| 2012-003RS | RS |
| 6313N | WAI / TRANSPO |
| 6313R | WAI / TRANSPO |
| 6416N | WAI / TRANSPO |
| 6416R | WAI / TRANSPO |
| 6419N | WAI / TRANSPO |
| STR80006 | WOODAUTO |

Využitie

CHEVROLET

| Značka | Model | Typ | let | Poznámky |
|-----------|--------------------|-------|-----------------|----------|
| CHEVROLET | Astre 4.3 | | 00.1992-00.1998 | |
| CHEVROLET | Blazer 4.3 | | 00.1995- | |
| CHEVROLET | C10 5.0 | | 00.1985-00.1986 | |
| CHEVROLET | C1500 4.3 | | 00.1988-00.1995 | |
| CHEVROLET | C20 5.0 | | 00.1985-00.1986 | |
| CHEVROLET | C2500 4.3 | | 00.1988-00.1995 | |
| CHEVROLET | Camaro 2.8 | | 00.1985-00.1989 | |
| CHEVROLET | Camaro 3.1 RS | | 00.1990-00.1992 | |
| CHEVROLET | Camaro 3.4 | | 00.1993-00.1995 | |
| CHEVROLET | Camaro 3.4 V6 | [L32] | 12.1992-12.1995 | |
| CHEVROLET | Camaro 5.0 | [LG4] | 00.1985-00.1986 | |
| CHEVROLET | G10 4.3 | | 00.1991-00.1997 | |
| CHEVROLET | G10 4.3 Express | | 00.1996-00.1997 | |
| CHEVROLET | G10 4.3 Sportvan | | 00.1991-00.1993 | |
| CHEVROLET | G10 5.0 | | 00.1996-00.1997 | |
| CHEVROLET | G10 5.0 Express | | 00.1996-00.1997 | |
| CHEVROLET | G20 4.3 | | 00.1991-00.1997 | |
| CHEVROLET | G20 4.3 Sportvan | | 00.1991-00.1995 | |
| CHEVROLET | G20 5.0 | | 00.1996-00.1996 | |
| CHEVROLET | G20 5.0 Express | | 00.1996-00.1997 | |
| CHEVROLET | G30 4.3 | | 00.1991- | |
| CHEVROLET | K10 5.0 Suburban | | 00.1985-00.1986 | |
| CHEVROLET | K1500 4.3 | | 00.1988-00.1998 | |
| CHEVROLET | K1500 5.0 | | 00.1996-00.1999 | |
| CHEVROLET | K2500 4.3 | | 00.1988-00.1995 | |
| CHEVROLET | P30 4.3 | | 00.1990-00.1995 | |
| CHEVROLET | S10 2.8 | | 00.1984-00.1993 | |
| CHEVROLET | S10 2.8 Blazer | | 00.1984-00.1990 | |
| CHEVROLET | S10 4.3 | | 00.1988-00.1995 | |
| CHEVROLET | S10 4.3 Blazer | | 00.1991-00.1994 | |
| CHEVROLET | Silverado 4.3 1500 | | 00.1999-00.1999 | |

GMC

| Značka | Model | Typ | let | Poznámky |
|--------|--------------------|-----|-----------------|----------|
| GMC | C15/C1500 5.0 | | 00.1985-00.1986 | |
| GMC | C1500 4.3 | | 00.1988-00.1988 | |
| GMC | C1500 4.3 SieRa | | 00.1989-00.1995 | |
| GMC | C1500 4.3 SieRa XC | | 00.1989-00.1997 | |
| GMC | C1500 5.0 SieRa | | 00.1992-00.1997 | |

| | | | | |
|-----|-----------------------|--|-----------------|---------|
| GMC | C1500 5.0 SieRa XC | | 00.1992-00.1997 | |
| GMC | C25/C2500 5.0 | | 00.1985-00.1986 | |
| GMC | C2500 4.3 | | 00.1988-00.1988 | |
| GMC | C2500 4.3 SieRa | | 00.1989-00.1995 | |
| GMC | C2500 4.3 SieRa XC | | 00.1989-00.1993 | |
| GMC | C2500 5.0 SieRa | | 00.1992-00.1996 | |
| GMC | C2500 5.0 SieRa XC | | 00.1992-00.1996 | |
| GMC | G15/G1500 4.3 Rally | | 00.1991-00.1993 | |
| GMC | G15/G1500 4.3 Savana | | 00.1996-00.1997 | |
| GMC | G15/G1500 4.3 Vandura | | 00.1991-00.1995 | |
| GMC | G15/G1500 5.0 | | 00.1994- | |
| GMC | G15/G1500 5.0 Rally | | 00.1992-00.1993 | |
| GMC | G15/G1500 5.0 Savana | | 00.1996-00.1997 | |
| GMC | G15/G1500 5.0 Vandura | | 00.1992-00.1995 | |
| GMC | G25/G2500 4.3 Rally | | 00.1991-00.1995 | |
| GMC | G25/G2500 4.3 Vandura | | 00.1991-00.1995 | |
| GMC | G25/G2500 5.0 Rally | | 00.1992-00.1995 | |
| GMC | G25/G2500 5.0 Savana | | 00.1996-00.1997 | |
| GMC | G25/G2500 5.0 Vandura | | 00.1992-00.1995 | |
| GMC | G35/G3500 4.3 | | 00.1992-00.1995 | |
| GMC | G35/G3500 4.3 | | 00.1996-00.1996 | Special |
| GMC | G35/G3500 4.3 Rally | | 00.1995-00.1996 | |
| GMC | G35/G3500 4.3 Savana | | 00.1996-00.1996 | |
| GMC | G35/G3500 4.3 Vandura | | 00.1991-00.1996 | |
| GMC | Jimmy 4.3 | | 00.1995-00.1995 | |
| GMC | K15/K1500 5.0 | | 00.1985-00.1986 | |
| GMC | K1500 4.3 | | 00.1988-00.1988 | |
| GMC | K1500 4.3 SieRa | | 00.1989-00.1997 | |
| GMC | K1500 4.3 SieRa XC | | 00.1989-00.1997 | |
| GMC | K1500 5.0 SieRa | | 00.1991-00.1998 | |
| GMC | K1500 5.0 SieRa XC | | 00.1991-00.1998 | |
| GMC | K2500 4.3 | | 00.1988-00.1988 | |
| GMC | K2500 4.3 SieRa | | 00.1989-00.1995 | |
| GMC | K2500 4.3 SieRa XC | | 00.1989-00.1993 | |
| GMC | K2500 5.0 SieRa | | 00.1991-00.1995 | |
| GMC | K2500 5.0 SieRa XC | | 00.1991-00.1995 | |
| GMC | P35/P3500 4.3 | | 00.1990-00.1995 | |
| GMC | S15 2.8 | | 00.1984-00.1990 | |
| GMC | S15 2.8 Jimmy | | 00.1984-00.1989 | |
| GMC | S15 4.3 | | 00.1988-00.1990 | |
| GMC | S15 4.3 Jimmy | | 00.1988-00.1994 | |
| GMC | Safari 4.3 | | 00.1990-00.1994 | |
| GMC | Safari 4.3 XT | | 00.1991-00.1996 | |
| GMC | SieRa 4.3 1500 | | 00.1999-00.1999 | |
| GMC | Sonoma 2.8 | | 00.1991-00.1993 | |
| GMC | Sonoma 2.8 GT | | 00.1992-00.1992 | |
| GMC | Sonoma 4.3 | | 00.1991-00.1995 | |
| GMC | Sonoma 4.3 GT | | 00.1992-00.1992 | |

JEEP

| Značka | Model | Typ | let | Poznámky |
|--------|----------------------|-----|-----------------|----------|
| JEEP | Cherokee 2.8 | | 00.1984-00.1986 | |
| JEEP | Cherokee 2.8 Chief | | 00.1986-00.1986 | |
| JEEP | Cherokee 2.8 Laredo | | 00.1986-00.1986 | |
| JEEP | Cherokee 2.8 Pioneer | | 00.1986-00.1986 | |
| JEEP | Comanche 2.8 Custom | | 00.1986-00.1986 | |
| JEEP | Comanche 2.8 X | | 00.1986-00.1986 | |



| | | | | |
|------|------------------|--|-----------------|--|
| JEEP | Comanche 2.8 XLS | | 00.1986-00.1986 | |
|------|------------------|--|-----------------|--|

PONTIAC

| Značka | Model | Typ | let | Poznámky |
|---------|------------------|-----|-----------------|----------|
| PONTIAC | Firebird 2.8 | | 00.1985-00.1989 | |
| PONTIAC | Firebird 2.8 S/E | | 00.1985-00.1986 | |
| PONTIAC | Firebird 3.4 | | 00.1993-00.1995 | |