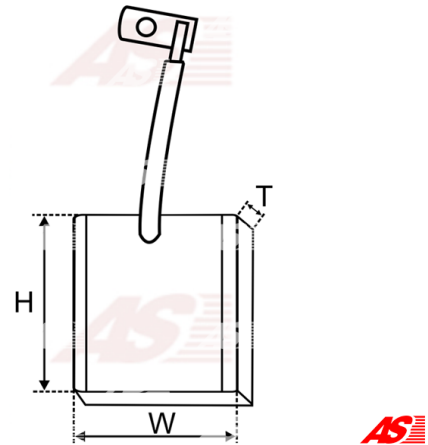
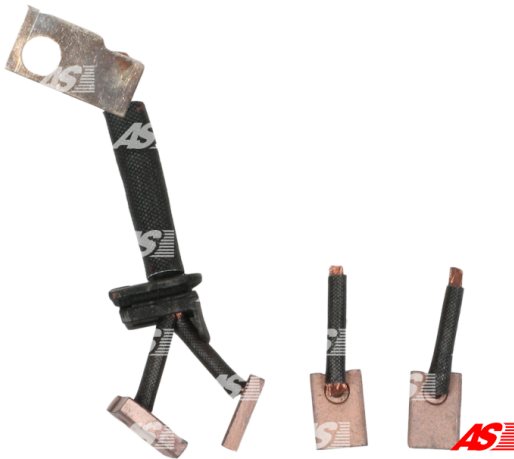


Data

AS index	SB5005
Kategória	Uhlíky pre štartéry
Výrobca	AS-PL
Náhrada za	Mitsubishi

Vlastnosti produktu

Napätie [V]	12
Grubość. [mm]	4.5
Šírka [mm]	12
výška [mm]	17.5



Referenčné číslo (14)

Number	Výrobca
140561	CARGO
CQ2040036	CQ
CQ2040170	CQ
JASX40-41	IKA
M647C00271	MITSUBISHI
M647C00272	MITSUBISHI
M647C00571	MITSUBISHI
M647C00573	MITSUBISHI
M647X02971	MITSUBISHI
MD611731	MITSUBISHI
1015488	POWERMAX
2076-005RS	RS
68-8313	WAI / TRANSPO
SBR5567	WOODAUTO

Využitie

HYUNDAI / KIA

Referenčné číslo	Výrobca
3610035050	HYUNDAI / KIA

MANDO

Referenčné číslo	Výrobca
MP112041	MANDO

MITSUBISHI

Referenčné číslo	Výrobca
M000T71681	MITSUBISHI
M001M70685	MITSUBISHI
M001M70881	MITSUBISHI
M001M70981	MITSUBISHI
M001M71281	MITSUBISHI
M001M71481	MITSUBISHI
M001M71681	MITSUBISHI
M001M71781	MITSUBISHI
M001M71881	MITSUBISHI
M001M72086	MITSUBISHI
M001M72087	MITSUBISHI
M001M72181	MITSUBISHI
M001M72182	MITSUBISHI
M001M72281	MITSUBISHI
M001M72981	MITSUBISHI
M001Q71281	MITSUBISHI
M001T60181	MITSUBISHI
M001T60581	MITSUBISHI
M001T61181	MITSUBISHI
M001T70381	MITSUBISHI
M001T70481	MITSUBISHI
M001T70483	MITSUBISHI
M001T70681	MITSUBISHI
M001T70685	MITSUBISHI
M001T70685A	MITSUBISHI
M001T70686	MITSUBISHI
M001T70687	MITSUBISHI
M001T70881	MITSUBISHI
M001T70881A	MITSUBISHI
M001T70981	MITSUBISHI
M001T70981A	MITSUBISHI
M001T71081	MITSUBISHI
M001T71281	MITSUBISHI
M001T71281A	MITSUBISHI
M001T71281B	MITSUBISHI
M001T71481	MITSUBISHI
M001T71481A	MITSUBISHI
M001T71681A	MITSUBISHI
M001T71781	MITSUBISHI
M001T71781A	MITSUBISHI
M001T71881	MITSUBISHI
M001T71881A	MITSUBISHI
M001T72081	MITSUBISHI
M001T72086	MITSUBISHI
M001T72086A	MITSUBISHI
M001T72087A	MITSUBISHI
M001T72088	MITSUBISHI
M001T72181	MITSUBISHI



M001T72181A	MITSUBISHI
M001T72182	MITSUBISHI
M001T72182A	MITSUBISHI
M001T72281	MITSUBISHI
M001T72281A	MITSUBISHI
M001T72583	MITSUBISHI
M001T72583G	MITSUBISHI
M001T72981	MITSUBISHI
M001T72981A	MITSUBISHI
M001T73381	MITSUBISHI
M001T73383	MITSUBISHI
M001T73681	MITSUBISHI
M001T73881	MITSUBISHI
M001T77081	MITSUBISHI
M001T77381	MITSUBISHI
M001T77581	MITSUBISHI
M001T78281	MITSUBISHI
M001T78881	MITSUBISHI
M001T79081	MITSUBISHI
M001T79181	MITSUBISHI
M0T70681	MITSUBISHI
M0T70781	MITSUBISHI
M0T71581	MITSUBISHI
M0T71681	MITSUBISHI
M1M70685	MITSUBISHI
M1M70881	MITSUBISHI
M1M70981	MITSUBISHI
M1M71281	MITSUBISHI
M1M71481	MITSUBISHI
M1M71681	MITSUBISHI
M1M71781	MITSUBISHI
M1M71881	MITSUBISHI
M1M72086	MITSUBISHI
M1M72087	MITSUBISHI
M1M72181	MITSUBISHI
M1M72182	MITSUBISHI
M1M72281	MITSUBISHI
M1M72981	MITSUBISHI
M1T60081	MITSUBISHI
M1T60181	MITSUBISHI
M1T60581	MITSUBISHI
M1T61181	MITSUBISHI
M1T70381	MITSUBISHI
M1T70481	MITSUBISHI
M1T70483	MITSUBISHI
M1T70681	MITSUBISHI
M1T70685	MITSUBISHI
M1T70685A	MITSUBISHI
M1T70686	MITSUBISHI
M1T70687	MITSUBISHI
M1T70881	MITSUBISHI
M1T70881A	MITSUBISHI
M1T70981	MITSUBISHI
M1T70981A	MITSUBISHI
M1T71081	MITSUBISHI
M1T71281	MITSUBISHI
M1T71281A	MITSUBISHI
M1T71281B	MITSUBISHI
M1T71381	MITSUBISHI



M1T71481	MITSUBISHI
M1T71481A	MITSUBISHI
M1T71681A	MITSUBISHI
M1T71781	MITSUBISHI
M1T71781A	MITSUBISHI
M1T71881	MITSUBISHI
M1T71881A	MITSUBISHI
M1T72081	MITSUBISHI
M1T72086	MITSUBISHI
M1T72086A	MITSUBISHI
M1T72087A	MITSUBISHI
M1T72088	MITSUBISHI
M1T72181	MITSUBISHI
M1T72181A	MITSUBISHI
M1T72182	MITSUBISHI
M1T72182A	MITSUBISHI
M1T72281	MITSUBISHI
M1T72281A	MITSUBISHI
M1T72581	MITSUBISHI
M1T72583	MITSUBISHI
M1T72583G	MITSUBISHI
M1T72981	MITSUBISHI
M1T72981A	MITSUBISHI
M1T73281	MITSUBISHI
M1T73283	MITSUBISHI
M1T73285	MITSUBISHI
M1T73381	MITSUBISHI
M1T73383	MITSUBISHI
M1T73681	MITSUBISHI
M1T73881	MITSUBISHI
M1T77081	MITSUBISHI
M1T77381	MITSUBISHI
M1T77581	MITSUBISHI
M1T77681	MITSUBISHI
M1T78281	MITSUBISHI
M1T78881	MITSUBISHI
M1T78981	MITSUBISHI
M1T79081	MITSUBISHI
M1T79181	MITSUBISHI
MD163188	MITSUBISHI
MD170049	MITSUBISHI
MD172863	MITSUBISHI
MD172864	MITSUBISHI
MD182488	MITSUBISHI
MD188720	MITSUBISHI
MD188721	MITSUBISHI
MD309471	MITSUBISHI
MD313327	MITSUBISHI

VALEO

Referenčné číslo	Výrobca
1250299	VALEO
1250301	VALEO
MG112022	VALEO
TM000A19301	VALEO