

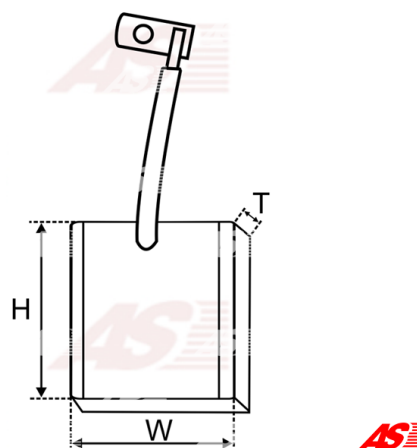


Data

| | |
|------------|---------------------|
| AS index | SB5006 |
| Kategória | Uhlíky pre štartéry |
| Výrobca | AS-PL |
| Náhrada za | Mitsubishi |

Vlastnosti produktu

| | |
|-----------------|------|
| Napätie [V] | 12 |
| Grubość. [mm] | 4.5 |
| Šírka [mm] | 12 |
| výška [mm] | 12.5 |



Referenčné číslo (12)

| Number | Výrobca |
|---------------|---------------|
| 140921 | CARGO |
| CQ2040037 | CQ |
| CQ2040037 BOX | CQ |
| JASX44-28 | IKA |
| M647X03971 | MITSUBISHI |
| M647X04571 | MITSUBISHI |
| M647X05971 | MITSUBISHI |
| 1013911 | POWERMAX |
| 2076-006RS | RS |
| 68-8321 | WAI / TRANSPO |
| 68-8322 | WAI / TRANSPO |
| SBR55991 | WOODAUTO |

Využitie

MITSUBISHI

| Referenčné číslo | Výrobca |
|------------------|------------|
| M000T60081 | MITSUBISHI |
| M000T60081A | MITSUBISHI |
| M000T80281 | MITSUBISHI |
| M000T80285 | MITSUBISHI |
| M000T80285A | MITSUBISHI |
| M000T80381 | MITSUBISHI |
| M000T80581 | MITSUBISHI |



| | |
|------------|------------|
| M000T80981 | MITSUBISHI |
| M000T81081 | MITSUBISHI |
| M000T81281 | MITSUBISHI |
| M000T81283 | MITSUBISHI |
| M000T81284 | MITSUBISHI |
| M000T81681 | MITSUBISHI |
| M001T60285 | MITSUBISHI |
| M001T96081 | MITSUBISHI |
| M0T60081 | MITSUBISHI |
| M0T60081A | MITSUBISHI |
| M0T80081 | MITSUBISHI |
| M0T80281 | MITSUBISHI |
| M0T80281ZC | MITSUBISHI |
| M0T80285 | MITSUBISHI |
| M0T80285A | MITSUBISHI |
| M0T80381 | MITSUBISHI |
| M0T80581 | MITSUBISHI |
| M0T80831 | MITSUBISHI |
| M0T80881 | MITSUBISHI |
| M0T80981 | MITSUBISHI |
| M0T81081 | MITSUBISHI |
| M0T81281 | MITSUBISHI |
| M0T81283 | MITSUBISHI |
| M0T81284 | MITSUBISHI |
| M0T81681 | MITSUBISHI |
| M0T84781 | MITSUBISHI |
| M0T86481 | MITSUBISHI |
| M1T60285 | MITSUBISHI |
| M1T72285 | MITSUBISHI |
| M1T72781B | MITSUBISHI |
| M1T77777 | MITSUBISHI |
| M1T77777ZC | MITSUBISHI |
| M1T78581 | MITSUBISHI |
| M1T79482 | MITSUBISHI |
| M1T79581 | MITSUBISHI |
| M1T87081 | MITSUBISHI |
| M1T96081 | MITSUBISHI |
| MD301351 | MITSUBISHI |
| MD332022 | MITSUBISHI |
| MD356104 | MITSUBISHI |
| MD360368 | MITSUBISHI |

NISSAN

| Referenčné číslo | Výrobca |
|------------------|---------|
| 233001M210 | NISSAN |
| 233001M215 | NISSAN |

SUBARU

| Referenčné číslo | Výrobca |
|------------------|---------|
| 23300AA380 | SUBARU |