

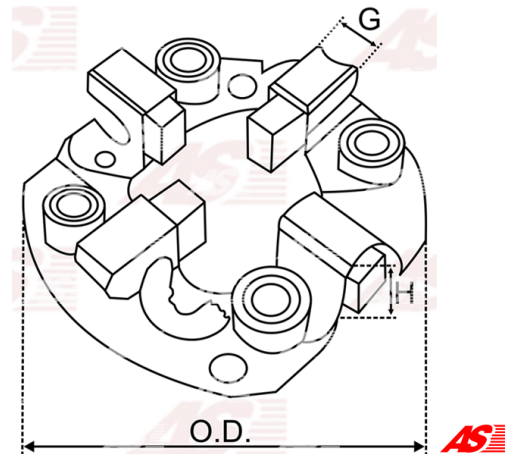


Data

| | |
|------------|------------------------------|
| AS index | SBH2002 |
| Kategória | Držiaky uhlíkov pre štartéry |
| Výrobca | AS-PL |
| Náhrada za | Hitachi |

Vlastnosti produktu

| | |
|---------------------|----------------------|
| O.D [mm] | 61.20 |
| Matching Brush set: | SB2009, JASX54-55 |



Referenčné číslo (23)

| Number | Výrobca |
|-------------|----------------|
| SBH2002 | AS-PL |
| UD00309SBH | AS-PL |
| UD00346SBH | AS-PL |
| KSX70103 | ASHDOWN INGRAM |
| 137121 | CARGO |
| 333647 | CARGO |
| CBH20100AS | CASCO |
| 532125 | CIVIC/DA PARTS |
| CQ2050022 | CQ |
| 2114-23106 | HITACHI |
| 2114-53104 | HITACHI |
| 2114-53105 | HITACHI |
| 2114-63104 | HITACHI |
| 2114-73105 | HITACHI |
| 23378-0M300 | NISSAN |
| 23378-1E400 | NISSAN |
| 76-834 | PAN PACIFIC |
| 1010866 | POWERMAX |
| 2064-002RS | RS |
| SH-3301 | UNIPOINT |
| 69-8117 | WAI / TRANSP0 |
| 69-8118-1 | WAI / TRANSP0 |
| EC45008 | WOODAUTO |

Využitie

AS-PL

| Referenčné číslo | Výrobca |
|------------------|---------|
| S2001 | AS-PL |
| S2004 | AS-PL |

HITACHI

| Referenčné číslo | Výrobca |
|------------------|---------|
| S114750 | HITACHI |
| S114751 | HITACHI |
| S114753 | HITACHI |
| S114758 | HITACHI |
| S114762 | HITACHI |
| S114762A | HITACHI |
| S114762B | HITACHI |
| S114765 | HITACHI |
| S114766 | HITACHI |
| S114766A | HITACHI |
| S114767 | HITACHI |
| S114769 | HITACHI |
| S114769A | HITACHI |
| S114775 | HITACHI |
| S114775A | HITACHI |
| S114780 | HITACHI |
| S114800 | HITACHI |
| S114800A | HITACHI |
| S114800B | HITACHI |
| S114801A | HITACHI |
| S114801B | HITACHI |
| S114801C | HITACHI |
| S114801D | HITACHI |
| S114802A | HITACHI |
| S114804 | HITACHI |
| S114804A | HITACHI |
| S114805 | HITACHI |
| S114805A | HITACHI |
| S114806 | HITACHI |
| S114806A | HITACHI |
| S114808 | HITACHI |
| S114808A | HITACHI |
| S114808B | HITACHI |
| S114814 | HITACHI |
| S114814A | HITACHI |
| S114815 | HITACHI |
| S114816 | HITACHI |
| S114817 | HITACHI |
| S114817A | HITACHI |
| S114818A | HITACHI |
| S114827 | HITACHI |
| S114829 | HITACHI |
| S114829A | HITACHI |
| S114829B | HITACHI |
| S114831 | HITACHI |
| S114839 | HITACHI |
| S114840 | HITACHI |



| | |
|----------|---------|
| S114841 | HITACHI |
| S114843 | HITACHI |
| S114844 | HITACHI |
| S114847 | HITACHI |
| S114850 | HITACHI |
| S114850A | HITACHI |
| S114850B | HITACHI |
| S114850C | HITACHI |
| S114862 | HITACHI |
| S114868A | HITACHI |
| S114869 | HITACHI |
| S114870 | HITACHI |
| S114871 | HITACHI |
| S114872 | HITACHI |
| S114874 | HITACHI |
| S114876 | HITACHI |
| S114878A | HITACHI |
| S114879 | HITACHI |
| S114881 | HITACHI |
| S114901 | HITACHI |
| S114902 | HITACHI |
| S114902A | HITACHI |
| S114903 | HITACHI |
| S114903A | HITACHI |
| S114905 | HITACHI |
| S114906 | HITACHI |
| S114907 | HITACHI |
| S114922 | HITACHI |
| S114925 | HITACHI |
| S114938 | HITACHI |
| S114943 | HITACHI |

ISKRA / LETRIKA

| Referenčné číslo | Výrobca |
|------------------|-----------------|
| 11139334 | ISKRA / LETRIKA |
| 11139401 | ISKRA / LETRIKA |

ISUZU

| Referenčné číslo | Výrobca |
|------------------|---------|
| 8971333690 | ISUZU |
| 8971333691 | ISUZU |
| 8971333692 | ISUZU |
| 8971502030 | ISUZU |
| 8971502040 | ISUZU |
| 8971502041 | ISUZU |
| 8971502042 | ISUZU |
| 8971891180 | ISUZU |
| 8971891181 | ISUZU |
| 8973860620 | ISUZU |
| 8980147430 | ISUZU |

**MAGNETI MARELLI**

| Referenčné číslo | Výrobca |
|------------------|-----------------|
| 63280042 | MAGNETI MARELLI |

NISSAN

| Referenčné číslo | Výrobca |
|------------------|---------|
| 2330008U00 | NISSAN |
| 233000M302 | NISSAN |
| 233001P100 | NISSAN |
| 2330020P05 | NISSAN |
| 233002J200 | NISSAN |
| 233002J201 | NISSAN |
| 233002J205 | NISSAN |
| 233002J206 | NISSAN |
| 2330031U02 | NISSAN |
| 233004J606 | NISSAN |
| 2330050Y04 | NISSAN |
| 233005J201 | NISSAN |
| 2330065F05 | NISSAN |
| 2330080F00 | NISSAN |
| 23300VB000 | NISSAN |
| 23300VB005 | NISSAN |

UNIPOINT

| Referenčné číslo | Výrobca |
|------------------|----------|
| STR3301 | UNIPOINT |
| STR3308 | UNIPOINT |

YANMAR

| Referenčné číslo | Výrobca |
|------------------|---------|
| 11923377010 | YANMAR |
| 12905277010 | YANMAR |
| 12969877010 | YANMAR |