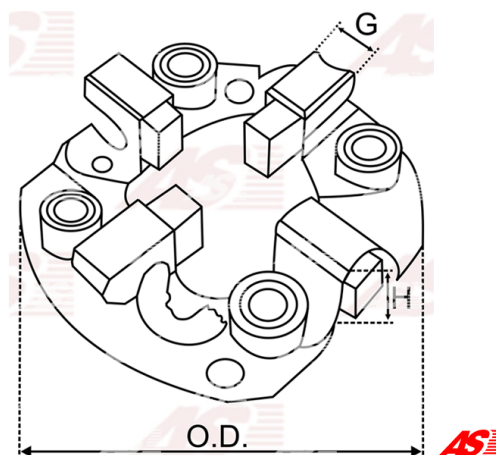
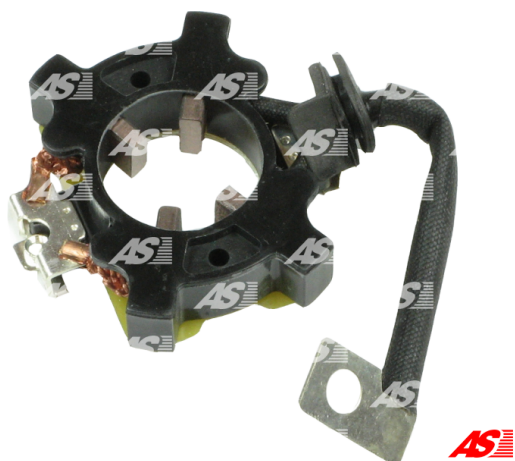


## Data

AS index	SBH5003
Kategória	Držiaky uhlíkov pre štartéry
Výrobca	AS-PL
Náhrada za	Mitsubishi

## Vlastnosti produktu

O.D [ mm ]	62.85
Matching Brush set:	SB5006, JASX44-28



## Referenčné číslo (19)

Number	Výrobca
SBH5003	AS-PL
UD00392SBH	AS-PL
UD00449SBH	AS-PL
KSX70102	ASHDOWN INGRAM
137929	CARGO
532104	CIVIC/DA PARTS
M321X04471	MITSUBISHI
M321X04771	MITSUBISHI
M321X05171	MITSUBISHI
M321X06671	MITSUBISHI
M321X07071	MITSUBISHI
83-169	PAN PACIFIC
1013294	POWERMAX
2066-003RS	RS
SH-3501	UNIPOINT
69-8313-3	WAI / TRANSPO
69-8317	WAI / TRANSPO
69-8318	WAI / TRANSPO
EC4611	WOODAUTO

## Využitie

**AS-PL**

Referenčné číslo	Výrobca
S5035	AS-PL
S6061	AS-PL

**DENSO**

Referenčné číslo	Výrobca
281000D090	DENSO

**HYUNDAI / KIA**

Referenčné číslo	Výrobca
3610037210	HYUNDAI / KIA

**mitsubishi**

Referenčné číslo	Výrobca
M000T60081	mitsubishi
M000T60081A	mitsubishi
M000T60181	mitsubishi
M000T65381	mitsubishi
M000T80081	mitsubishi
M000T80281	mitsubishi
M000T80285	mitsubishi
M000T80285A	mitsubishi
M000T80381	mitsubishi
M000T80581	mitsubishi
M000T80681	mitsubishi
M000T80685	mitsubishi
M000T80781	mitsubishi
M000T80881	mitsubishi
M000T80981	mitsubishi
M000T81081	mitsubishi
M000T81281	mitsubishi
M000T81283	mitsubishi
M000T81284	mitsubishi
M000T81481	mitsubishi
M000T81681	mitsubishi
M000T81781	mitsubishi
M000T85591	mitsubishi
M000T85681	mitsubishi
M001T60285	mitsubishi
M001T60285A	mitsubishi
M001T74583	mitsubishi
M001T74583ZC	mitsubishi
M001T78181	mitsubishi
M001T79482	mitsubishi
M001T79581	mitsubishi
M001T96081	mitsubishi
M001T96181	mitsubishi
M001T96281	mitsubishi
M0T60081	mitsubishi



MOT60081A	MITSUBISHI
MOT60181	MITSUBISHI
MOT65381	MITSUBISHI
MOT70881	MITSUBISHI
MOT80081	MITSUBISHI
MOT80281	MITSUBISHI
MOT80281A	MITSUBISHI
MOT80281ZC	MITSUBISHI
MOT80285	MITSUBISHI
MOT80285A	MITSUBISHI
MOT80381	MITSUBISHI
MOT80581	MITSUBISHI
MOT80681	MITSUBISHI
MOT80685	MITSUBISHI
MOT80781	MITSUBISHI
MOT80831	MITSUBISHI
MOT80881	MITSUBISHI
MOT80981	MITSUBISHI
MOT81081	MITSUBISHI
MOT81281	MITSUBISHI
MOT81283	MITSUBISHI
MOT81284	MITSUBISHI
MOT81381	MITSUBISHI
MOT81481	MITSUBISHI
MOT81581	MITSUBISHI
MOT81681	MITSUBISHI
MOT81781	MITSUBISHI
MOT81981	MITSUBISHI
MOT82081	MITSUBISHI
MOT82081ZE	MITSUBISHI
MOT82281	MITSUBISHI
MOT82381	MITSUBISHI
MOT83881	MITSUBISHI
MOT83981	MITSUBISHI
MOT84081	MITSUBISHI
MOT84181	MITSUBISHI
MOT84681	MITSUBISHI
MOT84781	MITSUBISHI
MOT84881	MITSUBISHI
MOT84882ZC	MITSUBISHI
MOT85381	MITSUBISHI
MOT85591	MITSUBISHI
MOT85681	MITSUBISHI
MOT85681ZC	MITSUBISHI
MOT85881	MITSUBISHI
MOT86481	MITSUBISHI
MOT86581	MITSUBISHI
MOT87681	MITSUBISHI
MOT90181	MITSUBISHI
MOT90981	MITSUBISHI
MOT91381	MITSUBISHI
M1T60285	MITSUBISHI
M1T60285A	MITSUBISHI
M1T70381A	MITSUBISHI
M1T72086	MITSUBISHI
M1T72086A	MITSUBISHI
M1T72285	MITSUBISHI
M1T72781B	MITSUBISHI
M1T74583	MITSUBISHI



M1T74583ZC	MITSUBISHI
M1T75283	MITSUBISHI
M1T77181	MITSUBISHI
M1T77981	MITSUBISHI
M1T78181	MITSUBISHI
M1T78581	MITSUBISHI
M1T79482	MITSUBISHI
M1T79581	MITSUBISHI
M1T84381ZC	MITSUBISHI
M1T86381	MITSUBISHI
M1T86481	MITSUBISHI
M1T87081	MITSUBISHI
M1T96081	MITSUBISHI
M1T96181	MITSUBISHI
M1T96281	MITSUBISHI
M1T96681	MITSUBISHI
MD301351	MITSUBISHI
MD320576	MITSUBISHI
MD321982	MITSUBISHI
MD332022	MITSUBISHI
MD356104	MITSUBISHI
MD360368	MITSUBISHI

## NISSAN

Referenčné číslo	Výrobca
233000W010	NISSAN
233001M210	NISSAN
233001M215	NISSAN
2330041B16	NISSAN
2330050Y11	NISSAN
2330050Y13	NISSAN
2330050Y15	NISSAN

## SUBARU

Referenčné číslo	Výrobca
23300AA380	SUBARU

## SUZUKI

Referenčné číslo	Výrobca
3110060A12	SUZUKI
3110060AB2	SUZUKI
3110077E20	SUZUKI
3110077E22	SUZUKI

## UNIPOINT

Referenčné číslo	Výrobca
STR3501	UNIPOINT
STR3504	UNIPOINT
STR3505	UNIPOINT