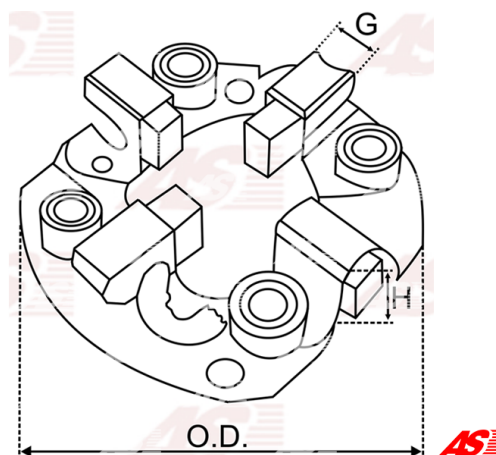
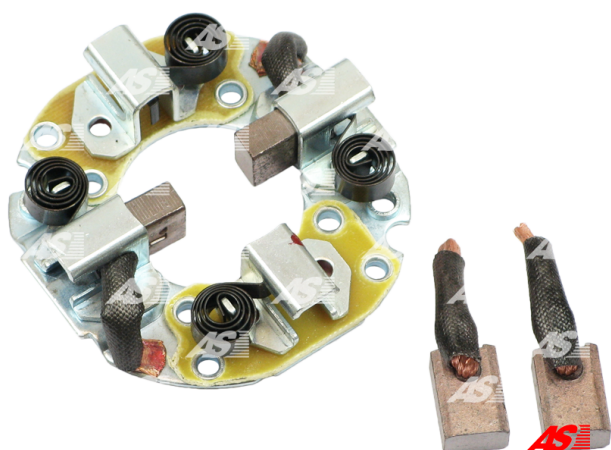


Data

AS index	SBH5004
Kategória	Držiaky uhlíkov pre štartéry
Výrobca	AS-PL
Náhrada za	Mitsubishi

Vlastnosti produktu

O.D [mm]	71.40
------------	-------



Referenčné číslo (21)

Number	Výrobca
SBH5004	AS-PL
UD00028SBH	AS-PL
UD00396SBH	AS-PL
UD00418SBH	AS-PL
UD00427SBH	AS-PL
UD00522SBH	AS-PL
UD10135SBH	AS-PL
UD10136SBH	AS-PL
138963	CARGO
CBH35107AS	CASCO
CQ2050095	CQ
M649T20471	MITSUBISHI
M649X20471	MITSUBISHI
ME701467	MITSUBISHI
83-258	PAN PACIFIC
1015702	POWERMAX
2066-004RS	RS
SH-7030	UNIPOINT
69-8328	WAI / TRANSPO
69-8339	WAI / TRANSPO
BHD5001	WOODAUTO

Využitie

AS-PL

Referenčné číslo	Výrobca
S5007	AS-PL
S5009	AS-PL

FORD

Referenčné číslo	Výrobca
3601369	FORD
4348654	FORD

HYUNDAI / KIA

Referenčné číslo	Výrobca
3610042250	HYUNDAI / KIA

MITSUBISHI

Referenčné číslo	Výrobca
1810A050	MITSUBISHI
1810A053	MITSUBISHI
M001T75283	MITSUBISHI
M002T84071	MITSUBISHI
M002T84171	MITSUBISHI
M002T84271	MITSUBISHI
M002T84571	MITSUBISHI
M002T84771	MITSUBISHI
M002T87071	MITSUBISHI
M002T87171	MITSUBISHI
M002T87271	MITSUBISHI
M002T87371	MITSUBISHI
M002T87471	MITSUBISHI
M002T87671	MITSUBISHI
M002T87971	MITSUBISHI
M002T88071	MITSUBISHI
M008T70171	MITSUBISHI
M008T75071	MITSUBISHI
M008T75071A	MITSUBISHI
M1T75283	MITSUBISHI
M2T84071	MITSUBISHI
M2T84071ZT	MITSUBISHI
M2T84171	MITSUBISHI
M2T84171ZT	MITSUBISHI
M2T84271	MITSUBISHI
M2T84371	MITSUBISHI
M2T84471	MITSUBISHI
M2T84571	MITSUBISHI
M2T84671	MITSUBISHI
M2T84771	MITSUBISHI
M2T85071	MITSUBISHI
M2T85271	MITSUBISHI
M2T85371	MITSUBISHI
M2T85671	MITSUBISHI



M2T85672	MITSUBISHI
M2T85771	MITSUBISHI
M2T85871	MITSUBISHI
M2T87071	MITSUBISHI
M2T87071ZT	MITSUBISHI
M2T87072ZT	MITSUBISHI
M2T87171	MITSUBISHI
M2T87171ZT	MITSUBISHI
M2T87271	MITSUBISHI
M2T87271ZT	MITSUBISHI
M2T87371	MITSUBISHI
M2T87471	MITSUBISHI
M2T87671	MITSUBISHI
M2T87971	MITSUBISHI
M2T88071	MITSUBISHI
M2T88171	MITSUBISHI
M2T88271	MITSUBISHI
M2T88372	MITSUBISHI
M2T88471	MITSUBISHI
M2T88473	MITSUBISHI
M2T88671	MITSUBISHI
M2T88971	MITSUBISHI
M2TS0471	MITSUBISHI
M2TS0571	MITSUBISHI
M2TS0575	MITSUBISHI
M2TS0671	MITSUBISHI
M8T70071	MITSUBISHI
M8T70171	MITSUBISHI
M8T70175	MITSUBISHI
M8T70371	MITSUBISHI
M8T70471	MITSUBISHI
M8T70471A	MITSUBISHI
M8T70472	MITSUBISHI
M8T71371	MITSUBISHI
M8T71371ZE	MITSUBISHI
M8T71471	MITSUBISHI
M8T71471ZE	MITSUBISHI
M8T71571	MITSUBISHI
M8T75071	MITSUBISHI
M8T75071A	MITSUBISHI
M8T75073	MITSUBISHI
M8T75073A	MITSUBISHI
M8T75074	MITSUBISHI
M8T75171	MITSUBISHI
M8T75271	MITSUBISHI
M8T75371	MITSUBISHI
M8T75671	MITSUBISHI
M8T75871	MITSUBISHI
M8T75971	MITSUBISHI
M8T76071	MITSUBISHI
M8T76072	MITSUBISHI
M8T76072ZE	MITSUBISHI
MD312857	MITSUBISHI
MD312858	MITSUBISHI
MD314167	MITSUBISHI
MD315547	MITSUBISHI
MD315548	MITSUBISHI
MD331137	MITSUBISHI
MD344182	MITSUBISHI



MD344183	mitsubishi
MD348221	mitsubishi
ME201650	mitsubishi
ME201650A	mitsubishi
ME202970	mitsubishi
ME204424	mitsubishi
ME204424A	mitsubishi
ME204425	mitsubishi
ME204425B	mitsubishi

NISSAN

Referenčné číslo	Výrobca
233001P115	NISSAN
233001P175	NISSAN
2330060U15	NISSAN
233006P010	NISSAN

UNIPOINT

Referenčné číslo	Výrobca
STR7030	UNIPOINT